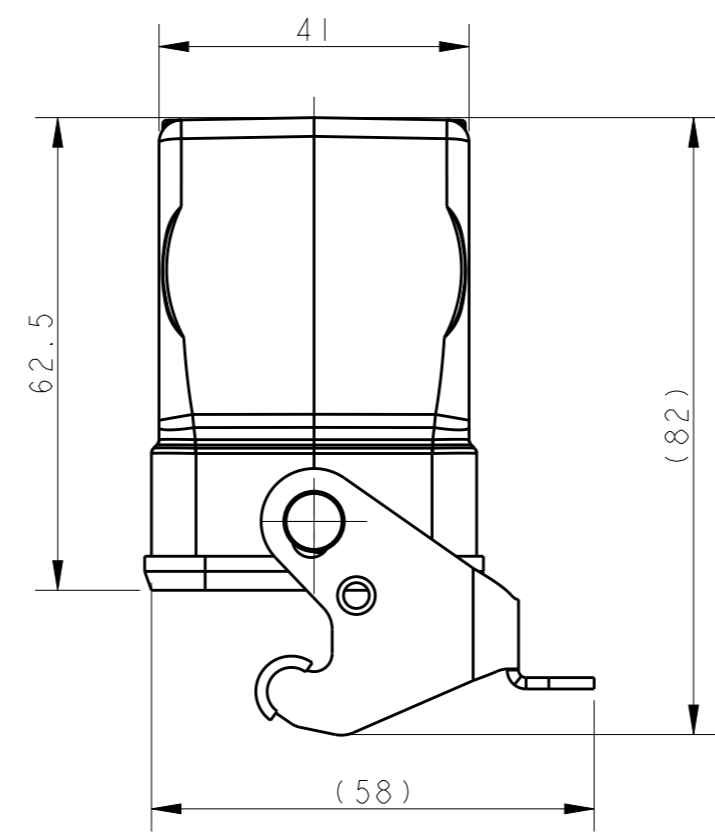
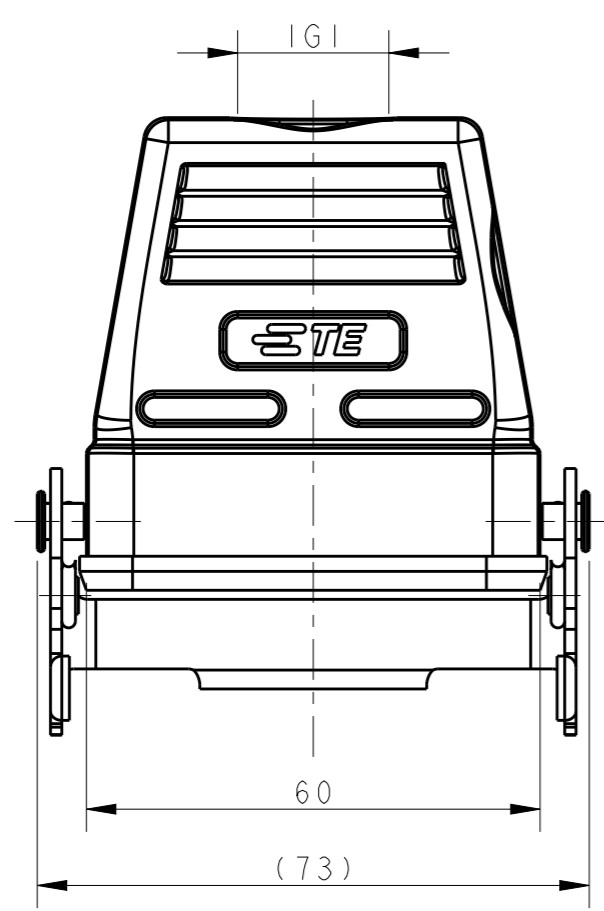


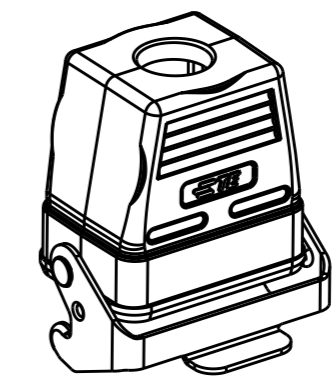
THIS DRAWING IS UNPUBLISHED. RELEASED FOR PUBLICATION 20
 © COPYRIGHT 20 BY - ALL RIGHTS RESERVED.

REVISIONS					
P	LTR	DESCRIPTION	DATE	DWN	APVD
	A	INITIAL	23JUN2015	DW	CW
	A1	ECR-15-012067	10AUG2015	DW	CW
	A2	ECR-18-009192	05SEP2018	YC	CW

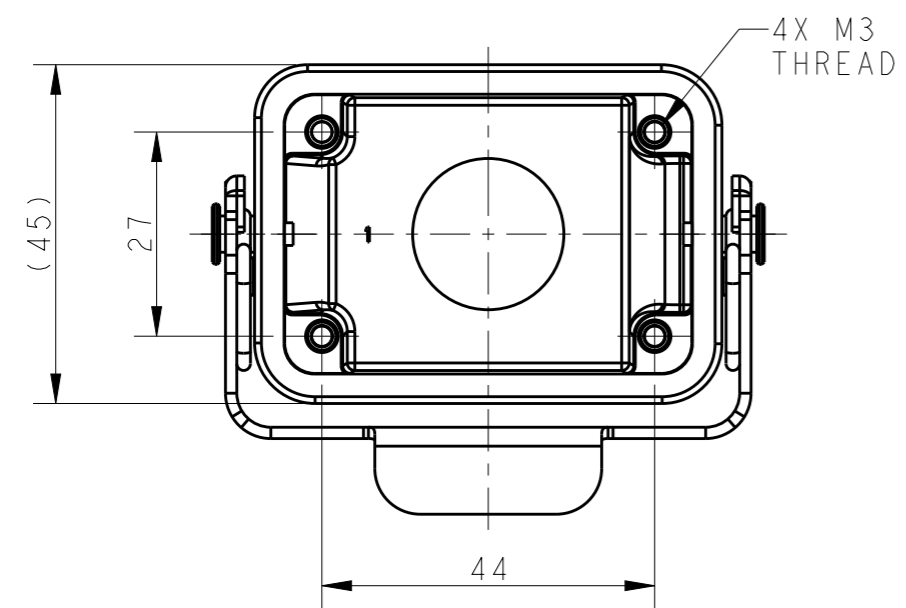


NOTES:
 1. TECHNICAL CHARACTERISTICS:
 HOOD MATERIAL: DIE CAST ALUMINIUM ALLOY
 SURFACE: POWDER COATED, GREY
 DEGREE OF PROTECTION: IP65 (MATED)

注释:
 1. 技术参数:
 电缆对接下壳材料: 铝合金
 表面处理: 粉末涂层, 灰色
 防护等级: IP65(配合)



SCALE 1:2



T1730063113-000	H6B-TBF-PG13.5	H6B HOUSING, CABLE-TO-CABLE, METAL SINGLE LOCKING, PG13.5, POWDER COATED, GREY H6B下壳, 电缆对接, 彩锌单扣, PG13.5, 灰色粉末喷涂	PG13.5
T1730063116-000	H6B-TBF-PG16	H6B HOUSING, CABLE-TO-CABLE, METAL SINGLE LOCKING, PG16, POWDER COATED, GREY H6B下壳, 电缆对接, 彩锌单扣, PG16, 灰色粉末喷涂	PG16
T1730063120-000	H6B-TBF-M20	H6B HOUSING, CABLE-TO-CABLE, METAL SINGLE LOCKING, M20, POWDER COATED, GREY H6B下壳, 电缆对接, 彩锌单扣, M20, 灰色粉末喷涂	M20
T1730063125-000	H6B-TBF-M25	H6B HOUSING, CABLE-TO-CABLE, METAL SINGLE LOCKING, M25, POWDER COATED, GREY H6B下壳, 电缆对接, 彩锌单扣, M25, 灰色粉末喷涂	M25
T1730063132-000	H6B-TBF-M32	H6B HOUSING, CABLE-TO-CABLE, METAL SINGLE LOCKING, M32, POWDER COATED, GREY H6B下壳, 电缆对接, 彩锌单扣, M32, 灰色粉末喷涂	M32
PART NUMBER 料号	PART DESCRIPTION 描述		IG1

THIS DRAWING IS A CONTROLLED DOCUMENT.		DWN 23JUN2015 DAVID WANG	TE Connectivity	
		CHK 23JUN2015 CHRIS WANG		
		APVD 23JUN2015 XIANG XU	NAME H6B-TBF-M/PG	
DIMENSIONS: mm		PRODUCT SPEC 108-137013	RESTRICTED TO	
TOLERANCES UNLESS OTHERWISE SPECIFIED: 0 PLC ±- 1 PLC ±- 2 PLC ±- 3 PLC ±- 4 PLC ±- ANGLES ±-		APPLICATION SPEC 114-137013	SIZE A3	CAGE CODE 00779
MATERIAL -		WEIGHT -	DRAWING NO C-T17300631XX000	
		Customer Drawing	SCALE 1:1	SHEET 1 OF 1
			REV A2	